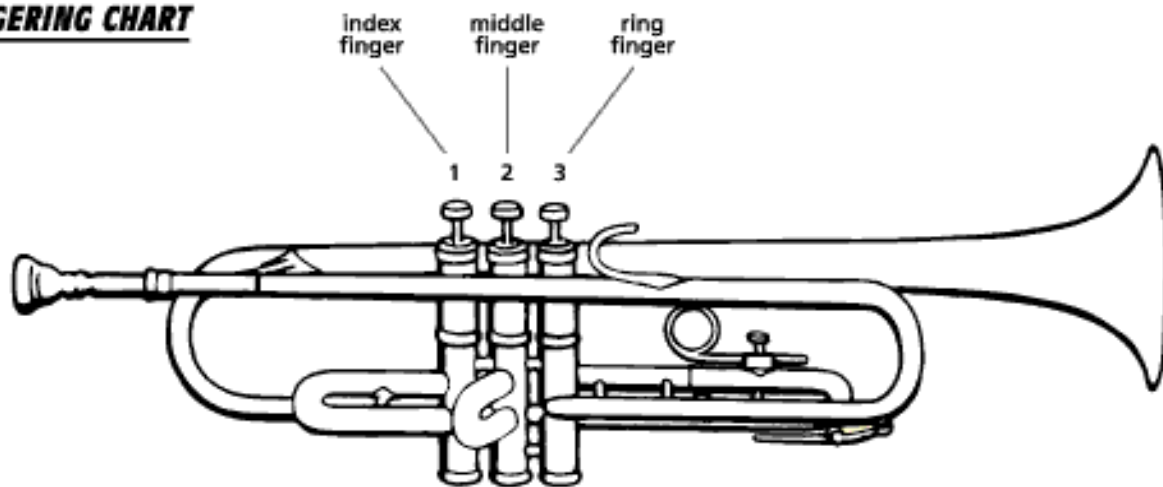


# TRUMPET FINGERING CHART



F# Gb G G# Ab A A# Bb

1 2 3 1 3 2 3 1 2 1

B C C# D# D D# Eb

2 0 1 2 3 1 3 2 3

E F F# Gb G G# Ab

1 2 1 2 0 2 3

A A# Bb B C C# D#

1 2 1 2 0 1 2

D D# Eb E F F# Gb G

1 2 0 1 2 0

G# Ab A A# Bb B C

2 3 1 2 1 2 0