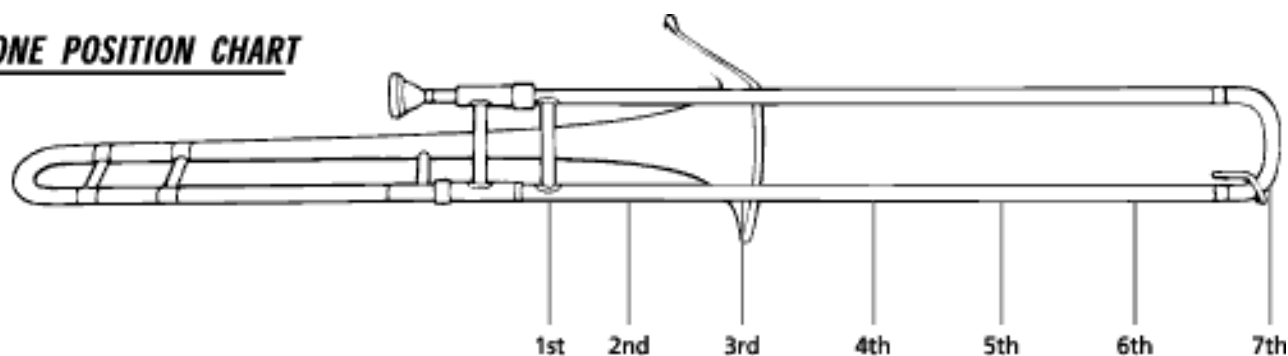


TROMBONE POSITION CHART



SLIDE POSITIONS

Numbers under notes indicate slide positions.

Notes: E, F, F \sharp , G \flat , G, G \sharp , A \flat

Slide positions: 7, 6, 5, 4, 3

Notes: A, A \sharp , B \flat , B, C, C \sharp , D \flat

Slide positions: 2, 1, 7, 6, 5

Notes: D, D \sharp , E \flat , E, F, F \sharp , G \flat

Slide positions: 4, 3, 2, 1 or 6, 5

Notes: G, G \sharp , A \flat , A, A \sharp , B \flat , B

Slide positions: 4, 3, 2, 1 or 5, 4

Notes: C, C \sharp , D \flat , D, D \sharp , E \flat , E, F

Slide positions: 3, 2, 1 or 4, 3, 2, 1

Notes: F \sharp , G \flat , G, G \sharp , A \flat , A, B \flat

Slide positions: 3, 2, 1